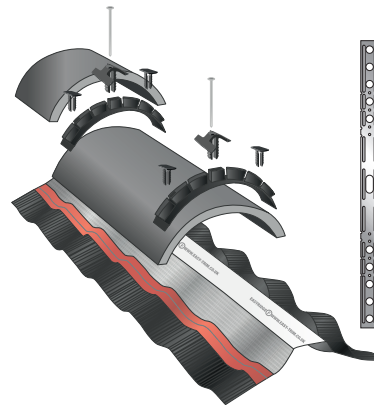


**DRY FIX PLUS RIDGE KITS****PRODUCT:** Dry Fix Plus Ridge Kit

DESCRIPTION: Dry fix ridge systems involve covering the roof batten with a breathable ridge roll. Our ridge roll is manufactured in-house from a polypropylene hydrophobic mesh that allows the roof to breathe whilst repelling water. A pumped butyl self-adhesive strip then allows for a secure adhesion to the tile or slate. One by one, the ridge tiles are then installed over the ventilation ridge roll to secure it in place and are laid across the apex of the roof using plastic unions, ratchet clips, screws and nails.

FEATURES & BENEFITS:

- Mechanically fixed eliminating the requirement of mortar
- Simple to install and requires no special tools
- Flat profile ratchet clips provide a subtle aesthetic finish and incorporate extensive ratchet teeth for a rapid and accurate installation
- Resistant to wind and water
- 20 year guarantee on all components
- All major components manufactured in our Lancashire production facility

INSTALLATION: See Dry Fix Plus Ridge Kit Installation Guide**BRITISH STANDARDS:**

- Conforms to BS 5534: Code of Practice for Slating & Tiling For Pitched Roofs & Vertical Tiling
- Conforms to BS 8612: Dry Fixed Ridge, Hip & Verge Systems for Slating & Tiling
- Conforms to BS 5250: For Roofspace Ventilation (Management and Moisture in Buildings)

COMPATIBLE WITH:

- Concrete ridge tiles
- Clay ridge tiles
- Half round and angled ridge tiles
- Hips - a Hip Kit must be used in conjunction with the Dry Fix Plus Ridge Kit or Dry Fix Standard Ridge Kit

FOR USE ON:

- Ridge
- Hip
- New build and refurbishments

MATERIAL:

Ridge Roll - Polypropylene hydrophobic mesh, corrugated aluminium and pumped butyl self-adhesive strip
 Batten Straps - stainless steel
 Unions - film grade polypropylene
 Ratchet clips - glass filled nylon

ROOF PITCH: Suitable for pitches of 15° to 45°**VENTILATION:** Provides 5mm of continuous ridge ventilation**INSTALLATION****TEMPERATURE:** 5° to 35°**RELATED PRODUCTS:**

- Dry Fix Ridge Standard Kit
- Hip Kit
- Hip Tray
- Maintenance Pack
- Union Maintenance Pack
- Union Pack



DRY FIX PLUS RIDGE KITS

CODE	DESCRIPTION	COMPATIBLE WITH	COLOUR	ROLL LENGTH	UNIONS	BATTEN STRAPS	CENTRE CLIPS	OUTER CLIPS	SCREWS	NAILS
EASYRIDGEF+3/BL	RIDGE KIT PLUS	CONCRETE RIDGE TILES	BLACK	3 METRE	7	5	7	14	7	25 APPROX
EASYRIDGEF+6/BL	RIDGE KIT PLUS	CONCRETE RIDGE TILES	BLACK	6 METRE	13	10	13	26	13	45 APPROX
EASYRIDGEF+10/BL	RIDGE KIT PLUS	CONCRETE RIDGE TILES	BLACK	10 METRE	22	17	22	44	22	80 APPROX
EASYRIDGEF+3/TE	RIDGE KIT PLUS	CONCRETE RIDGE TILES	TERRACOTTA	3 METRE	7	5	7	14	7	25 APPROX
EASYRIDGEF+6/TE	RIDGE KIT PLUS	CONCRETE RIDGE TILES	TERRACOTTA	6 METRE	13	10	13	26	13	45 APPROX
EASYRIDGEF+10/TE	RIDGE KIT PLUS	CONCRETE RIDGE TILES	TERRACOTTA	10 METRE	22	17	22	44	22	80 APPROX
EASYRIDGEF+3MTR	RIDGE KIT PLUS	CONCRETE RIDGE TILES	GREY	3 METRE	7	5	7	14	7	25 APPROX
EASYRIDGEF+6MTR	RIDGE KIT PLUS	CONCRETE RIDGE TILES	GREY	6 METRE	13	10	13	26	13	45 APPROX
EASYRIDGEF+10MTR	RIDGE KIT PLUS	CONCRETE RIDGE TILES	GREY	10 METRE	22	17	22	44	22	80 APPROX
EASYRIDGEF+6/BLCL	RIDGE KIT PLUS	CLAY RIDGE TILES	BLACK	6 METRE	20	10	20	40	20	45 APPROX

CODE	DESCRIPTION	BOX DIMENSIONS	BOX WEIGHT	PALLET QTY
EASYRIDGEF+3/BL	3M BLACK CONCRETE RIDGE KIT PLUS	400 x 205 x 215MM (L x W x H)	1.35KG	90
EASYRIDGEF+6/BL	6M BLACK CONCRETE RIDGE KIT PLUS	325 x 310 x 220MM (L x W x H)	2.35KG	84
EASYRIDGEF+10/BL	10M BLACK CONCRETE RIDGE KIT PLUS	375 x 310 x 290MM (L x W x H)	3.8KG	60
EASYRIDGEF+3/TE	3M TERRACOTTA CONCRETE RIDGE KIT PLUS	400 x 205 x 215MM (L x W x H)	1.35KG	90
EASYRIDGEF+6/TE	6M TERRACOTTA CONCRETE RIDGE KIT PLUS	325 x 310 x 220MM (L x W x H)	2.35KG	84
EASYRIDGEF+10/TE	10M TERRACOTTA CONCRETE RIDGE KIT PLUS	375 x 310 x 290MM (L x W x H)	3.8KG	60
EASYRIDGEF+3MTR	3M GREY CONCRETE RIDGE KIT PLUS	400 x 205 x 215MM (L x W x H)	1.35KG	90
EASYRIDGEF+6MTR	6M GREY CONCRETE RIDGE KIT PLUS	325 x 310 x 220MM (L x W x H)	2.35KG	84
EASYRIDGEF+10MTR	10M GREY CONCRETE RIDGE KIT PLUS	375 x 310 x 290MM (L x W x H)	3.8KG	60
EASYRIDGEF+6/BLCL	6M BLACK CLAY RIDGE KIT PLUS	325 x 310 x 220MM (L x W x H)	2.9KG	84