



THINKING PRECAST?  
THINK FP MCCANN

# PRECAST FENCING SOLUTIONS

v.3.1



FENN-LITE



SLOTTED  
POSTS &  
GRAVEL  
BOARDS



MORTICED  
AND  
RECESSED  
POSTS



DECK  
POST



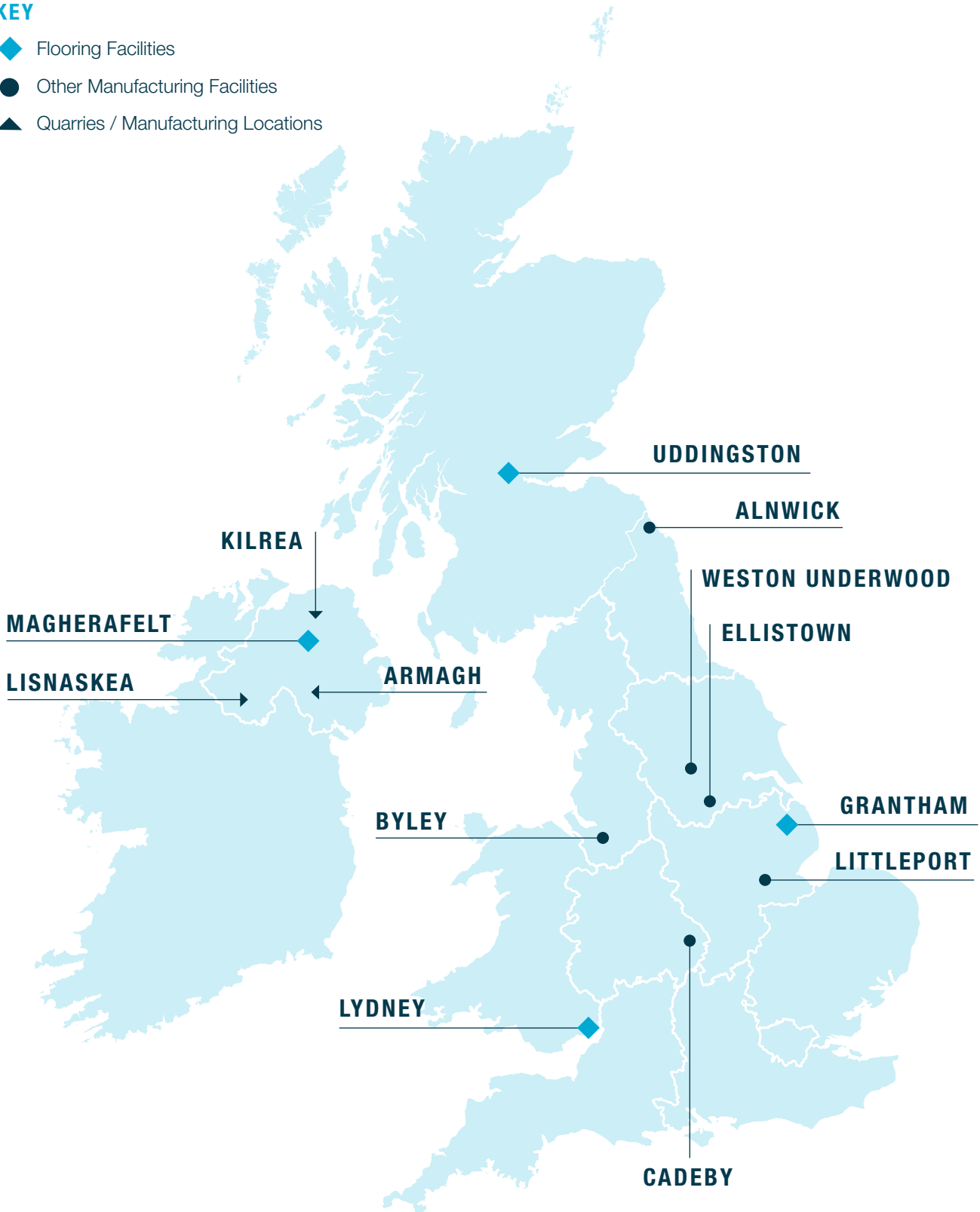
REPAIR  
SPURS  
AND  
BOLLARDS

# OUR COMPANY

---

## KEY

- ◆ Flooring Facilities
- Other Manufacturing Facilities
- ▲ Quarries / Manufacturing Locations



# OUR COMPANY

FP McCann is the UK's market leader in the manufacture, supply and delivery of precast concrete solutions. Our comprehensive precast concrete business extends to include:

**AGRICULTURE | ARCHITECTURAL PRECAST | BOX CULVERTS | BUILDING PRODUCTS  
DOCK LEVELLERS | DRAINAGE | FENCING | FILTER BED SYSTEMS | FLOORING  
POWER & INFRASTRUCTURE | RAIL | SPECIALIST PRECAST | STRUCTURAL PRECAST  
TANKS & CHAMBERS | TUNNELS & SHAFTS | WALLING**

Modern manufacturing plants at Alnwick (Northumberland), Armagh (Northern Ireland), Byley (Cheshire), Cadeby (Warwickshire), Ellistown (Leicestershire), Grantham (Lincolnshire), Lisnaskea (Northern Ireland), Littleport (Cambridgeshire), Lydney (Gloucestershire), Magherafelt (Northern Ireland), Uddingston (Lanarkshire) and Weston Underwood (Derbyshire) incorporate the latest computerised batching, distribution, casting, curing and handling systems and are operated by skilled and experienced workforces to ensure consistency of quality. Their geographical spread gives us an unrivalled ability to serve the construction industry throughout the UK and Ireland.

By applying the DFMA principles, FP McCann's design engineers are able to evaluate individual precast concrete products part by part, in addition to documenting the assembly process step by step. This allows them to generate the cost, part count and assembly time to provide a benchmark to measure its success and identify the parts and process improvement opportunities. In turn, this has allowed FP McCann to design and manufacture more cost-effective and efficient high-quality precast concrete products with less wastage and greater on-site recycling. As a result, increased productivity, combined with a reduction in production time and costs, allows FP McCann to be more competitive within the marketplace.

*Please note: all information is correct at time of going to print.*



## CONTENTS

Introduction	4
Fenn-Lite	5
Slotted Posts	6
Gravel Boards	7
Boundary Posts	7
Morticed & Recessed Posts	8
Bollards, Universal Posts & Repair Spurs	9
DeckPost	10
Fencing Order Portal	11
Product Handling Guide	12
Case Study	14



# INTRODUCTION

---

With over 30 years' experience in the manufacture of precast concrete solutions, FP McCann offers a wide range of precast fencing products.

Concrete posts offer a longer lasting alternative to wooden posts. Our comprehensive range includes slotted, recessed and morticed posts; plain, recessed and rock-faced gravel boards, Fenn-Lite lightweight posts, deck posts, universal posts, repair spurs and bollards.

FP McCann's precast concrete fencing products are durable, easy to install and provide an attractive finish in combination with timber fencing panels. Our Fenn-Lite fencing products and gravel boards are up to 45% lighter and offer the same strength and durability as standard weight products.

Fencing customers can also place an order on our website via an easy to navigate online e-commerce tool.

FP McCann will deliver to locations throughout the UK and our sales and technical teams are on hand to discuss your requirements.



# FENN-LITE

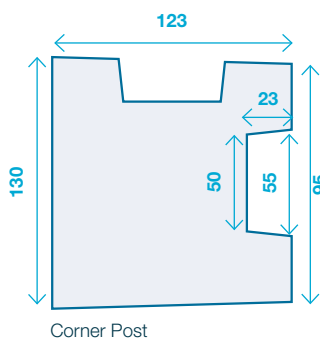
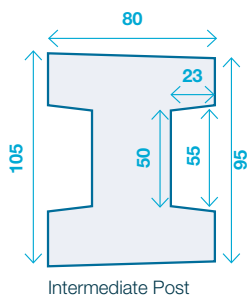
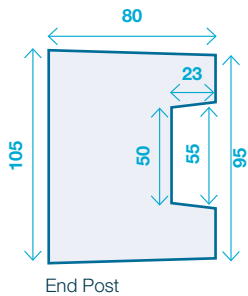
## END POST

## INTERMEDIATE POST

## CORNER POST



The lighter alternative to standard weight slotted posts and gravel boards



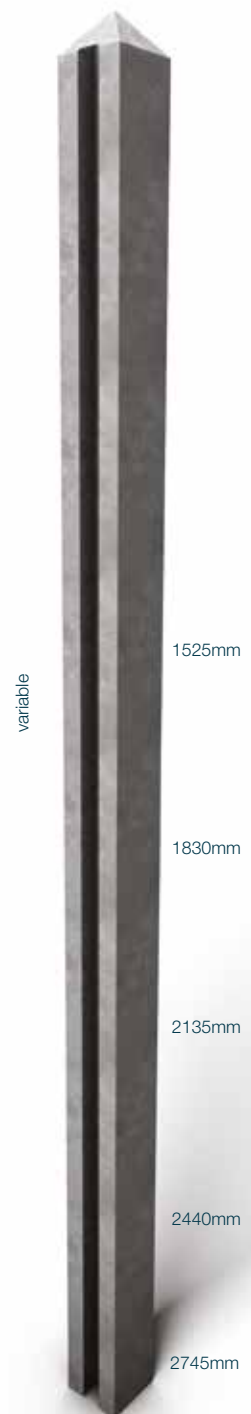
Product Code	Sizes (mm)	Sizes (ft/in)	No. per one	No. per Pack	Individual Weight (kg)*	Pack Weight inc. Packaging (kg)*
<b>Slotted Posts - Intermediates</b>						
FPSLP150MW	1525	5'	45.45	40	22.0	920
FPSLP180MW	1830	6'	37.04	40	27.0	1120
FPSLP210MW	2135	7'	32.26	30	31.0	960
FPSLP240MW	2440	8'	28.57	30	35.0	1080
FPSLP275MW	2745	9'	25.00	30	40.0	1220
<b>Slotted Posts - Intermediates - Heavy Duty Lightweight</b>						
PREFPHDSLPC305LW	3050	10'	13.70	18	73.0	1340
PREFPHDSLPC335LW	3350	11'	12.50	18	80.0	1460
PREFPHDSLPC366LW	3660	12'	11.40	18	88.0	1600
<b>Slotted Posts - Corners - Light Weight</b>						
FPSLPC150LW	1525	5'	28.74	6	34.8	218.8
FPSLPC180LW	1830	6'	23.62	6	42.3	260
FPSLPC210LW	2135	7'	20.41	6	49.0	300
FPSLPC240LW	2440	8'	16.95	6	59.0	360
FPSLPC275LW	2745	9'	15.23	6	65.7	400
<b>Slotted Posts - Corners - Heavy Duty Lightweight</b>						
PREFPHDSLPC305LW	3050	10'	12.80	6	78.0	438
PREFPHDSLPC335LW	3350	11'	11.40	6	88.0	543
PREFPHDSLPC366LW	3660	12'	10.60	6	94.0	579
<b>Slotted Posts - Ends</b>						
FPSLPE150MW	1525	5'	40.00	10	25.0	270
FPSLPE180MW	1830	6'	32.26	10	31.0	330
FPSLPE210MW	2135	7'	28.57	10	35.0	370
FPSLPE240MW	2440	8'	25.00	10	40.0	420
FPSLPE275MW	2745	9'	22.22	10	45.0	470
<b>Slotted Posts - Ends - Heavy Duty Lightweight</b>						
PREFPHDSLPE305LW	3050	10'	13.00	9	77.0	718
PREFPHDSLPE335LW	3350	11'	11.10	9	90.0	832
PREFPHDSLPE366LW	3660	12'	9.40	9	106.0	976
<b>Gravel Boards For Slotted Posts - Light Weight</b>						
FPGBP150LW Plain	1830x150x45	6"	48.31	40	20.7	840
FPGBP305LW-SD Plain	1830x305x45	12"	22.60	20	44.3	900
FPGBR150LW Recessed	1830x150x45	6"	50.96	40	19.6	800
FPGBR305LW Recessed	1830x305x45	12"	30.77	20	32.5	665
FPGBRF305WCLWHP Rock Faced HP	1830x305x45	12"	24.81	16	40.3	660
<b>Recessed Posts - Light Weight</b>						
FPARP250LW	2515	8' 3"	18.75	18	53.3	980
<b>Morticed Posts - Light Weight</b>						
FPMOR240LW	2440	8'	23.44	30	42.7	1300

NB: Individual product weights and pack weights may slightly vary from published data due to bulk density changes in aggregates used in production. Other lightweight products are available. Please refer to our sales office for further information.

# SLOTTED POSTS



Product Code	Sizes (mm)	Sizes (ft/in)	No. per Tonne	No per Pack	Individual Weight (kg)	Pack Weight inc. Packaging (kg)
<b>Slotted Posts - Intermediates</b>						
FPSLP150	1525	5'	35.09	40	28.5	1160
FPSLP180	1830	6'	28.99	40	34.5	1400
FPSLP210	2135	7'	25.42	30	39.3	1200
FPSLP240	2440	8'	22.39	30	44.7	1360
FPSLP275	2745	9'	18.99	30	52.7	1600
FPSLP305	3050	10'	17.86	30	56.0	1700
<b>Slotted Posts - Corners</b>						
FPSLPC150	1525	5'	20.34	6	49.2	301
FPSLPC180	1830	6'	17.19	6	58.2	355
FPSLPC210	2135	7'	15.00	6	66.7	406
FPSLPC240	2440	8'	12.66	6	79.0	480
FPSLPC275	2745	9'	11.09	6	90.2	547
<b>Slotted Posts - Ends</b>						
FPSLPE150	1525	5'	32.47	10	30.8	328
FPSLPE180	1830	6'	26.46	10	37.8	398
FPSLPE210	2135	7'	22.57	10	44.3	463
FPSLPE240	2440	8'	20.12	10	49.7	517
FPSLPE275	2745	9'	17.83	10	56.1	581
FPSLPE305	3050	10'	15.87	10	63.0	1650
<b>Heavy Duty Slotted Posts - Intermediates</b>						
FPHDSL150	1525	5'	20.20	18	49.5	812
FPHDSL180	1830	6'	16.81	18	59.5	972
FPHDSL210	2135	7'	14.60	18	68.5	1116
FPHDSL240	2440	8'	13.25	18	75.5	1228
FPHDSL275	2745	9'	12.12	18	82.5	1340
FPHDSL305	3050	10'	10.47	18	95.5	1548
FPHDSL335	3350	11'	9.57	18	104.5	1692
FPHDSL366	3660	12'	8.66	18	115.5	1868
<b>Heavy Duty Slotted Posts - Corners</b>						
FPHDSLPC305	3050	10'	10.10	6	99.0	600
FPHDSLPC335	3350	11'	9.16	6	109.2	661
FPHDSLPC366	3660	12'	8.46	6	118.2	715
<b>Heavy Duty Slotted Posts - Ends</b>						
FPHDSLPE150	1525	5'	18.87	9	53.0	444
FPHDSLPE180	1830	6'	15.63	9	64.0	532
FPHDSLPE210	2135	7'	13.51	9	74.0	612
FPHDSLPE240	2510	8'	12.20	9	82.0	676
FPHDSLPE275	2745	9'	11.11	9	90.0	740
FPHDSLPE305	3050	10'	9.71	9	103.0	844
FPHDSLPE335	3350	11'	8.85	9	113.0	924
FPHDSLPE366	3660	12'	8.06	9	124.0	1012



# GRAVEL BOARDS



FP McCann's standard precast concrete decorative gravel board range



**HIGH PROFILE ROCK  
FACE WEST CAST**



**PLAIN-FACE**



**RECESSED**

Product Code	Sizes (mm)	Sizes (ft/in)	No. per Tonne	No. per Pack	Individual Weight (kg)	Pack Weight inc. Packaging (kg)
<b>Gravel Boards For Slotted Posts</b>						
FPGBP150 Plain	1830x150x45	6"	36.10	40	27.7	1120
FPGBP305 Plain	1830x305x45	12"	17.17	20	58.3	1180
FPGBR150 Recessed	1830x150x45	6"	37.56	40	26.6	1080
FPGBR305 Recessed	1830x305x45	12"	21.62	20	46.3	940
FPGBRF305WCHP Rock Faced WC High profile	1830x305x45	12"	16.90	16	59.1	960

# BOUNDARY POSTS

Product Code	Sizes (mm)	Sizes (ft/in)	No. per Tonne	No. per Pack	Individual Weight (kg)	Pack Weight inc. Packaging (kg)
<b>Boundary Posts 4x4</b>						
PRE FP BOU 0904X4	915x100x100	3'	50.56	60	19.8	1188
PRE FP BOU 1054X4	1070x100x100	3'6"	43.90	60	22.8	1368
PRE FP BOU 1204X4	1220x100x100	4'	38.50	60	26.0	1560
PRE FP BOU 1354X4	1370x100x100	4' 6"	33.58	60	29.8	1788



# MORTICED AND RECESSED POSTS



## MORTICED & RECESSED POSTS

Product Code	Sizes (mm)	Sizes (ft/in)	No. per Tonne	No. per Pack	Individual Weight in kg	Pack Weight inc. Packaging (kg)
<b>Morticed Posts - Intermediate</b>						
FPMOR150	1525	5'	29.63	40	33.80	1370
FPMOR180	1830	6'	23.95	40	41.80	1690
FPMOR210	2135	7'	20.98	30	47.70	1450
FPMOR240	2440	8'	18.52	30	54.00	1640
FPMOR275	2745	9'	15.96	30	62.70	1900
FPMOR275DB*	2745	9'	15.95	30	62.70	1811
<b>Morticed Posts - Corners</b>						
FPMORC150	1525	5'	28.85	6	34.70	214
FPMORC180	1830	6'	24.00	6	41.70	256
FPMORC210	2135	7'	20.55	6	48.70	298
FPMORC240	2440	8'	17.49	6	57.20	349
FPMORC275	2745	9'	16.30	6	61.30	374
FPMORC275DB*	2745	9'	16.30	6	61.30	374
<b>Recessed Posts</b>						
FPARP145	1500	4' 11"	21.77	27	45.90	1260
FPARP175	1750	5' 9"	18.49	27	54.10	1480
FPARP220	2160	7' 3"	15.00	18	66.70	1220
FPARP250	2515	8' 3"	13.64	18	73.30	1340
FPARP307^	3125	10' 3"	10.00	9	100.00	920
<b>Gravel Boards For Morticed/Recessed Posts</b>						
FPGB240P	2400x150x50	7' 10½"	24.65	16	40.60	580
FPGB259P	2590x150x50	8' 6"	22.83	16	43.80	630
FPGB270P	2700x150x50	8' 10½"	21.60	16	46.30	660
FPGB2885P	2885x150x50	9' 5½"	19.77	16	50.60	720
FPGB300P	3000x150x50	9' 10"	19.10	16	52.40	745

^To suit a 1.8m fence

\*To suit a 2 metre fence



# BOLLARDS, UNIVERSAL POSTS AND REPAIR SPURS

## REPAIR SPURS

Available in 4"x 4",  
4"x 3" and 3"x 3"



## UNIVERSAL POSTS

Product Code	Sizes (mm)	Sizes (ft/in)	No. per Tonne	No. per Pack	Individual Weight (kg)	Pack Weight inc. Packaging (kg)
<b>Universal Posts - Intermediate</b>						
FPUNP150	1525	5'	27.99	40	35.7	1306
FPUNP180	1830	6'	23.08	40	43.3	1580
FPUNP210	2135	7'	19.85	30	50.4	1380
FPUNP240	2440	8'	16.88	30	59.3	1620
FPUNP275	2745	9'	15.88	30	63.0	1720
<b>Repair Spurs 3x3</b>						
FP SUPP 099 3X3	990	3' 3"	74.63	70	13.4	953
FP SUPP 105 3X3	1070	3' 6"	69.44	70	14.4	1023
<b>Repair Spurs 4x3</b>						
FPSUP090	915x100x75	3'	65.73	70	15.2	1080
FPSUP105	1070x100x75	3' 6"	57.14	70	17.5	1240
FPSUP120	1220x100x75	4'	49.82	70	20.1	1420
FPSUP135	1370x100x75	4' 6"	44.16	70	22.6	1600
<b>Repair Spurs 4x4</b>						
FPSUP0904X4	915x100x100	3'	50.56	60	19.8	1188
FPSUP1054X4	1070x100x100	3'6"	43.90	60	22.8	1368
FPSUP1204X4	1220x100x100	4'	38.50	60	26.0	1560
FPSUP1354X4	1370x100x100	4' 6"	33.58	60	29.8	1788
<b>Screed Rail</b>						
FPSRBF050	50x3000	2"	85.46	104	11.7	1237
FPSRBF100	100x3000	4"	38.34	48	26.1	1272
FPSRBF125	125x3000	5"	26.74	33	37.4	1254
FPSRBF150	150x3000	6"	21.43	30	46.7	1420
<b>Bollards</b>						
FPBOL135	1370x225	4' 6"	10.96	5	91	475

# DECKPOST

The FP McCann DeckPost is the durable precast solution for your decking requirements. Whether you plan to create an elevated decking area, or simply to level out irregular ground conditions, DeckPost is the obvious choice.

## WHY USE DECKPOST?

FP McCann's Precast Decking Support Post is the durable alternative to wood. Available in four different lengths, this product provides a rot free option to replace timber posts used to support all decking projects.



Product Code	Sizes in mm/in	No. per Tonne	No. per Pack	Individual Weight (kg)	Pack Weight inc. Packaging (kg)
PREFPDECP450	450x100x100/18x4x4	90.91	120	11.00	1340
PREFPDECP600	600x100x100/24x4x4	71.43	72	14.00	1028
PREFPDECP900	900x100x100/36x4x4	47.62	48	21.00	1028
PREFPDECP1200	1200x100x100/48x4x4	37.04	36	27.00	992

# EASI-ORDER PORTAL

To register please select the Log In Screen online, please follow the instructions below:

1. Select 'Register' to add your details in the first instance
2. Register Page – each user within your company will be required to do this.
3. Create and register your own new password
4. Once you have received your 'Welcome To Our New Easi Order Portal' email, you will be required to log back into the Portal using your new details. You will then be able to start placing order.



Quantity	Product Code	Product Name	Units	Unit Price/Weight	Unit Size	Weight/Volume	Quantity
1	MC1000000	4' x 6' Wooded Post	1	10	10'	1000	1
1	MC1000001	4' x 6' Wooded Post	1	10	10'	1000	1
1	MC1000002	4' x 6' Wooded Post	1	10	10'	1000	1
1	MC1000003	4' x 6' Wooded Post	1	10	10'	1000	1
1	MC1000004	4' x 6' Wooded Post	1	10	10'	1000	1

To place an order online, please follow the instructions below:

1. Select Create Order
2. Your order is compiled by selecting the " number of packs" for each product you wish to order.
3. Once the order is complete, simply click on the "Next" button.
4. On the Process New Order screen, you have the opportunity to view and check your order. Should you wish to edit your order, simply click the "Back" button.
5. You will then have the facility to tick the box which indicates you have a minimum of 50 plus pallets to return. This service is free of charge.
6. When satisfied your order is correct, you are required to read and accept the Company's terms & conditions of sale by ticking the appropriate box. Your order is then confirmed by clicking " Confirm Order".
7. You will then receive an order acknowledgement and full order summary by email.
8. Log Out to end the process.
9. You will receive a follow up call from a member of our Fencing team to discuss the logistics of your fencing order.

# PRODUCT HANDLING & STACKING GUIDE

FP McCann's fencing products are stacked and packaged securely on timber pallets, and in the case of posts, timber lath in between each row. All products are also strapped using our plastic banding manufactured from 100% recycled materials.

FP McCann strongly recommends that mechanical means (such as a fork lift with appropriate extensions) should be used when offloading fencing materials from a delivery vehicle. Offloading should be carried out by trained personnel, away from members of the public and other trades. Due consideration to manual handling should be taken in handling both gravel boards and fence posts.

Due care and attention must be followed when restacking product

packs when they are unloaded onto site and also when the packs are opened. Packs must be stacked vertically straight on stable and even ground conditions, ensuring the load bearers/lath are all in line. When opening gravel board packs, ensure that the long band is broken first, leaving the short band intact and keeping all gravel boards upright (see below).

All packs have a product label attached which gives the pack weight and individual unit weight. The pack weight must be observed when using lifting machinery to offload, to make sure that the machinery is capable of lifting the pack weight.

The individual weight of each item must be identified if they are to be handled manually once the pack is open. Persons must have received manual handling training. Many of our products will require more than one person to lift them. HSE can provide guidance on manual handling.



Products MUST NOT be taken out of packs using the forklift, they will damage the unit. Care and attention must be paid when opening gravel boards. Always leave the band holding just part of the pack, this will prevent the whole pack collapsing when the pack is opened (as shown above).



Products MUST NOT be stacked unevenly. When both main bands are removed from gravel board packs the pack should remain standing when the part band is left. However, you will need to support the front board initially when opening fully. (as shown above).





Products MUST be stacked on top of each other, keeping the load bearers in line.



The forks MUST NOT be close together when picking up packs. The forks MUST be widened to be as close to the load bearer as possible

## TECHNICAL NOTES

FP McCann provides a class A post for general applications. Class A posts are designed for wind speeds of 28m/s. The dynamic pressure resulting from the wind speed is 0.5kN/m<sup>2</sup>. The class A posts comply with BS EN 12839:2012. This design of class A post is not appropriate for exposed areas or sea fronts.

Class B or C posts, which comply with BS EN 12839:2012, should be used in exposed areas or near a sea front. (Contact FPM Technical Department for assistance).

All class A posts are manufactured from C35/45 concrete with reinforcing bar. Posts may crack under working loads and are expected to crack at maximum working loads. Cracking of a post does not signify failure. The bar reinforcement is designed to control crack widths and withstand loads in excess of the maximum working load.

In addition to wind loading, Class A/B/C posts are designed for handling, and if a crack appears in a post, this does not signify failure or reject. Crack widths up to 0.2mm do not have any significant effect on the durability resistance of the posts. However, if handled correctly the fence posts are not expected to crack, therefore it is important that the handling and storage instructions specified in this leaflet are adopted. This will ensure that both cracking and chipping of posts is kept to an absolute minimum.

# TIMBER CLAD L WALL SYSTEM FOR BARRATT HOMES

Site: Deer's Rise, South Staffordshire

Client: Barratt Homes

Main Contractor: Friel Construction

Products Supplied: FP McCann Precast L Walls

Midlands based Friel Construction continues to utilise FP McCann's popular precast concrete L Walls on housing developments recognising the benefits the walling system can offer particularly in earth retention works. A more recent addition to the units is the contractor led application of timber cladding, adding an aesthetic look to an otherwise plain concrete face.

On the edge of the popular Cannock Chase, a designated area of outstanding natural beauty in South Staffordshire, Barratt Homes are building a new development of 2,3,4 and 5 bedroom properties. With many changes in land elevation on the 'Deer's Rise' site, there is a large requirement for earth retaining walls.

Friel Construction the main civil engineer and ground worker on site has once again adopted the FP McCann L Wall earth retention system. To date some 130 linear metres of walling has been installed comprising 1.0m, 1.5m and 2.0m high units. Laid and dowelled into a concrete foundation pad, each run of walling acts as a soil retention barrier and once fixed into position earth is backed up against the L Walls as part of the raised ground levelling work for each individual building plot and garden.

The addition of timber cladding to the concrete L Wall units provides a more aesthetically pleasing finish and the simple method of attaching timber battens and feather lap boards, means that coverage is a quick and easy process. The timber cladding is easy to maintain and the precast reinforced L Walls are a long-lasting no maintenance backing wall.



**CADEBY OFFICE:**

Brascote Lane  
Nuneaton Cadeby  
Warwickshire  
CV13 0BB  
T 01455 290780  
sales@fpmccann.co.uk

**FENCING**

Cadeby 01455 290780

---

**AGRICULTURE**

Lydney 01594 847500 Grantham 01476 562277

**ARCHITECTURAL PRECAST**

Byley 01606 843500 Grantham 01476 562277 Littleport 01353 861416

**BOX CULVERTS**

Weston Underwood 01335 361269

**BUILDING PRODUCTS**

Cadeby 01455 290780

**DOCK LEVELLER PITS**

Weston Underwood 01335 361269

**DRAINAGE**

Ellistown 01530 240000 (England/Wales) Magherafelt 028 7954 9026 (Scotland)

**FILTER BED SYSTEMS**

Littleport 01353 861416

**FLOORING**

Weston Underwood 01335 361269 Uddingston 01698 803300

**POWER & INFRASTRUCTURE**

Littleport 01353 861416

**RAIL**

Littleport 01353 861416

**SPECIALIST PRECAST**

Littleport 01353 861416

**STRUCTURAL PRECAST**

Byley 01606 843500 Grantham 01476 562277 Littleport 01353 861416

**TANKS & CHAMBERS**

Littleport 01353 861416

**TUNNELS & SHAFTS**

Cadeby 01455 290780

**WALLING**

Grantham 01476 562277 Lydney 01594 847500  
Uddingston 01698 803 300 (Scotland)

**FPMCCANN.CO.UK**