

### Dry Verge System – Overview

CODE **GDV**

#### Description:

The Manthorpe Interlocking Dry Verge System is a fast and effective method for finishing the verge of a concrete tiled roof.

The Dry Verge System is compatible with almost every make and profile of concrete interlocking tiles and is completely maintenance free. The system can be mechanically fixed in all weather conditions without the need for mortar.

The Angled or Round Ridge End Cap can be used to protect the end of the ridge while the Eaves Closure seals the base of the verge preventing access for birds and large insects.

The sleek appearance of the product maintains the stepped appearance of the verge while remaining unobtrusive to the original roof design.

#### Features:

**Easy to fix and maintenance free.**

**Suits most makes and profiles of concrete interlocking tiles that have a batten gauge between 280mm and 345mm.**

**Mortar-free solution allows fixing in all weather conditions.**

**Prevents entry of birds and large insects.**

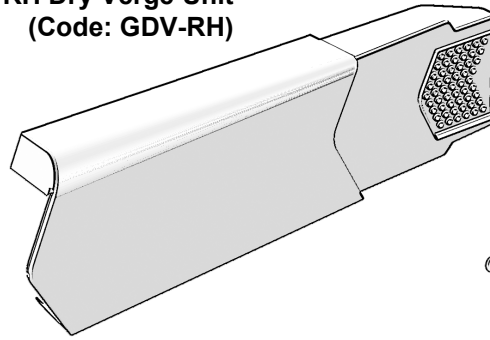
**Suitable for new build or refurbishment situations on roofs of 15° to 55° pitch.**

**Complies with BS 5534 requirements for mechanical fixing.**

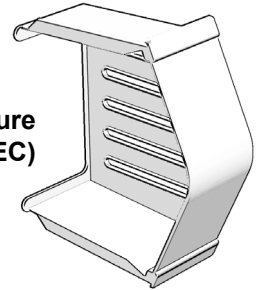
#### References:

BSI: British Standard 5534:2003  
 BSI: British Standard 6399-2:1997  
 NHBC Standards Chapter 7.2

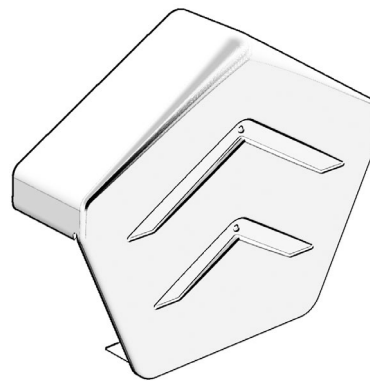
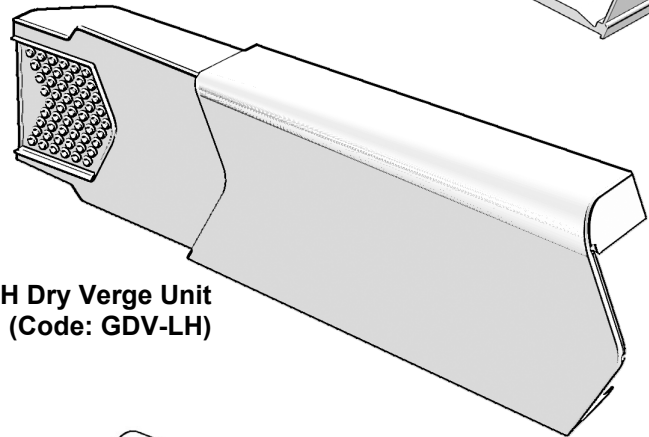
**RH Dry Verge Unit  
(Code: GDV-RH)**



**Eaves Closure  
(Code: GDV-EC)**

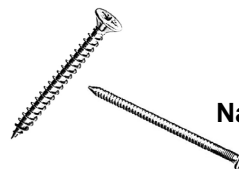
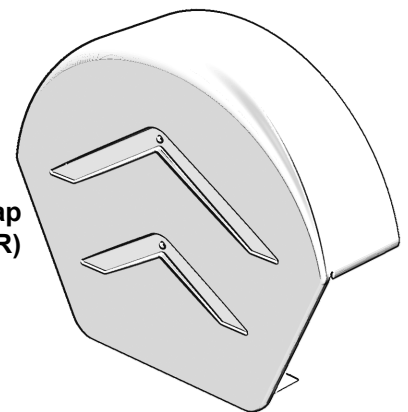


**LH Dry Verge Unit  
(Code: GDV-LH)**



**Angled Ridge End Cap  
(Code: GDV-END-A)**

**Round Ridge End Cap  
(Code: GDV-END-R)**



**Nails & Screws**

MANTHORPE BUILDING PRODUCTS LTD  
 MANTHORPE HOUSE  
 BRITAIN DRIVE  
 CODNOR GATE BUSINESS PARK  
 RIPLEY  
 DERBYSHIRE DE5 3ND

TEL: 01773 303 000  
 FAX: 01773 303 300  
 EMAIL:  
[mbp.care@manthorpebp.co.uk](mailto:mbp.care@manthorpebp.co.uk)  
 WEB:  
[www.manthorpebp.co.uk](http://www.manthorpebp.co.uk)

DRN R.P

Date 25.06.19

DRG No

**MBP 8225**

Issue

**D**

The company maintains a policy of continuous development of its product range and reserves the right to amend the specification without notice.